

TECHNICAL DATA SHEET

SLMJ / TUBE SILICONE IP65 / Xenon

VERSION - 10.03.2017

STANDARD LUMINAIRE

Reference	SLMJ
Protection Class	Tube Silicone IP65
Lighting Source	Xenon - 3W / 5W max.
Connector	Rigid Loop on B'Light conductor 16mm ²
Dimensions	69x58mm
Standard Length	300mm - 520mm - 1015mm - 1510mm - 2005mm
Length on measure	With 3W: 135mm to 2995mm With 5W: 135mm to 2005mm
Nb Lighting Unit	17 bulbs/m
Voltage	24V
Power	With 3W: 51W/m With 5W: 85W/m
Connecting Cable	One Side: 1m Cable Silicone 180° - 2x2.5mm ² <i>On request: Cable length on measure</i>

FINISH

Color Finishing Profil

Profil	Natural Anodised Aluminium
<i>On request</i>	<i>Thermo-Enameling</i> <i>Powder Coating RAL</i> <i>Color Anodising</i>
Tube Silicone	<i>Transparent Elastomer Silicone</i> <i>- High dielectric rigidity</i> <i>- Good resistance to chemical product</i> <i>- Excellent resistance to ozone and aging</i> <i>- Temperature resistance: -60°C ~ +200°C</i>

ON REQUEST

Fixation	EASY-FIX
Grid	Transversal Grid: GTSE
Connecting Cable	Two Sides: 1m Cable Silicone 180° - 2x2.5mm ² <i>On request: Cable length on measure</i>
Dimming Option	1-10V, Dali, KNX <i>Ask technical department for more information</i>

LIGHTING SOURCE

Lighting Source	Xenon Long Life
Glass	Clear or Frosted
Power	3W or 5W
Voltage	24V
Beam Angle	360°
Lifetime	20'000h

Color Temperature & Luminous Flux / Unit

Power	3W	5W
CCT	2300K	2400K
Luminous Flux/Unit	12.6 lm	40 lm

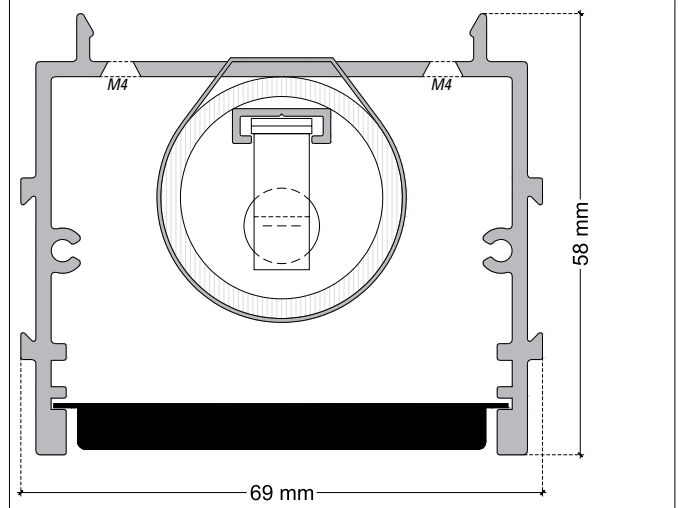
CERTIFICAT



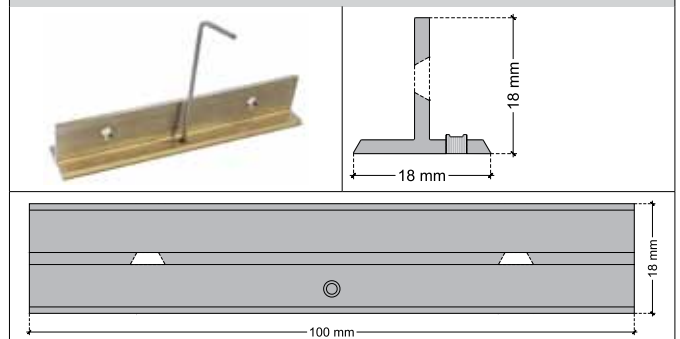
APPLICATION: SAUNA



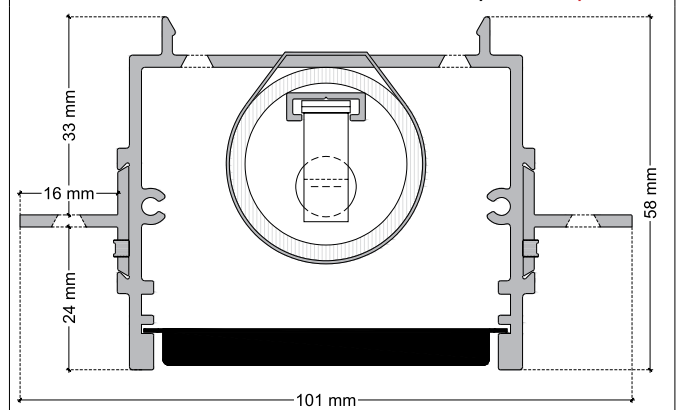
SLMJ Tube Silicone + Grid GTSE / Xenon 3W/5W max.



ON REQUEST : Fixation EASY-FIX



SLMJ Tube Silicone + Fixation EASY-FIX + Grid GTSE / Xenon 3W/5W max.



AGABEKOV



AGABEKOV SA Manufacture 6, ROUTE DE COMPOIS
CH-1222 VÉSENAZ - GENEVA - SWITZERLAND
Tel. +41 22 752 47 45 Fax. +41 22 752 37 08
E - mail: info@agabekov.com



AGABEKOV SA Bureau d'etudes 6, ROUTE DE COMPOIS
CH-1222 VÉSENAZ - GENEVA - SWITZERLAND
Tel. +41 22 752 47 45 Fax. +41 22 752 37 08
Internet: www.agabekov.com

