

nGround Standard Projector LED

Ground Projectors

SPECIFICATION

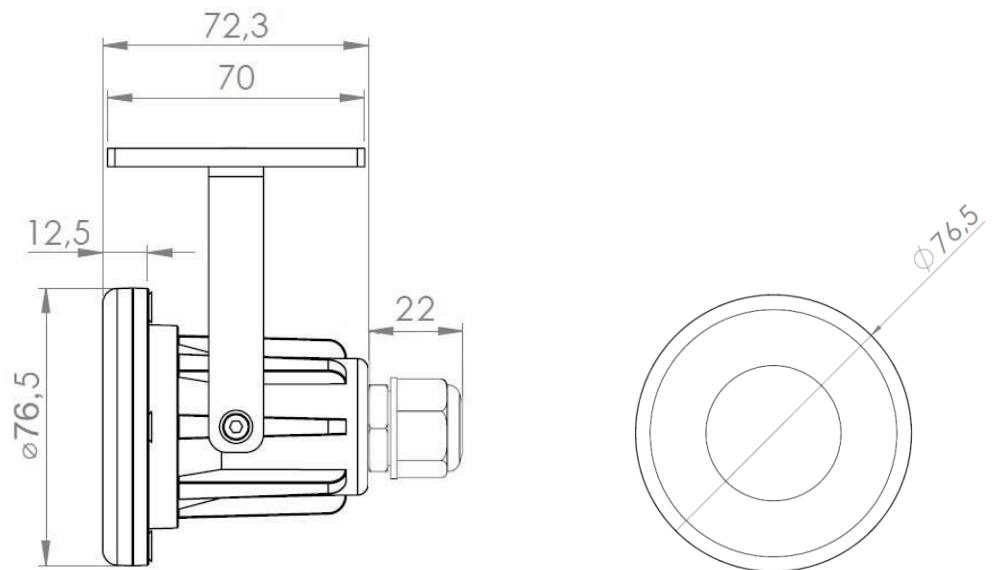
LIGHT COLOUR	CONFORT WHITE	WARM WHITE	NEUTRAL WHITE	COOL WHITE
Colour Temperature*	2700 ± 150 K	3000 ± 150 K	4000 ± 250 K	5000 ± 250 K
Effective Lumen Output**	370 lm	370 lm	420 lm	420 lm
CRI	≥ 80			
Viewing Angle [FWHM]	25°, 45°			
Input Voltage	230V AC 50Hz			
Power Consumption	5 W			
Operating Temperature.	-20°C ÷ +55°C			
Dimensions	Ø76,5mm			
Cable Type	H07RN-F 3G1 with plug			
Cable Length	2m			
IP Rating	IP67			
Lifetime***	≥ 60 000 h			

* Other CCTs and colours available on request.

** Source performance in real-life conditions at Ta=25°C; includes optical losses; the tolerance of source lumen output is 5%.

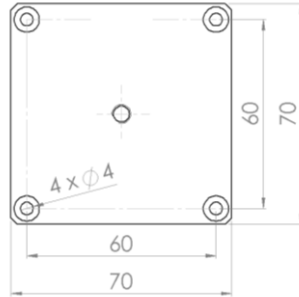
*** Approximate lifetime of LEDs declared by Cree® at Ta=25°C (for 90% of initial light output) and other electronic components

DIMENSIONS [mm]

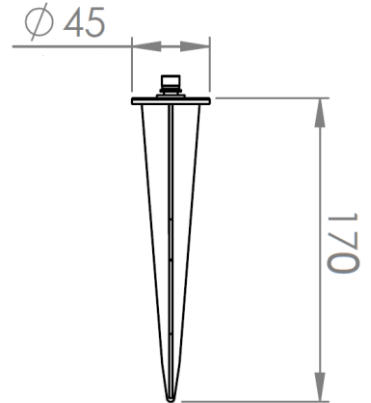


ACCESSORIES

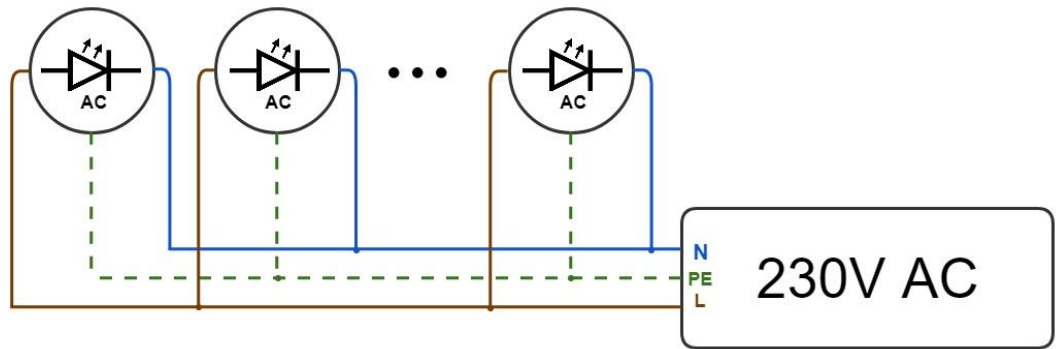
GROUND-PLATE-ADC12



GROUND-SPIKE-NYLON



**ELECTRICAL
INSTALLATION**



Connecting to the power supply should be done when the power supply is off.

**ORDER CODE
FORMAT**

nGROUND STANDARD PR	POWER	FWHM ANGLE	MATERIAL OF THE FRONT / BODY	
	- 5 -	- VW - 25 -	RD -	AA - HV
<small>FAMILY</small>	<small>CCT VW - 2700K WW - 3000K NW - 4000K CW - 5000K</small>	<small>25 - 25 degrees 45 - 45 degrees</small>	<small>FRONT PLATE RD - Round</small>	<small>SUPPLY VOLTAGE HV - 230V AC, 50Hz</small>

**ENVIRONMENTAL
CAUTION**



Caution!

It is prohibited to dispose of obsolete and waste electrical and electronic equipment together with regular household wastes. They should be properly sorted and recycled. Old electrical and electronic equipment should be returned to a waste collection point established by a waste-management service. Waste electrical and electronic equipment can be broken down to base materials and then recycled. For more information regarding waste management please contact your local authorities, waste-management service or the seller of electrical and electronic devices.