

## TECHNICAL DATA SHEET

### LU6AL IP20 / Aga-Led® Type B

VERSION - 10.03.2015

#### STANDARD LUMINAIRE

Reference	LU6AL
Protection Class	IP20
Lighting Source	Aga-Led® Type B
Connector	Rigid Loop
Size - mm	35 x 39
Length on measure	110mm to 3000mm
Nb Lighting Source	18 LED/m
Voltage	24V
Power	21.6 W/m
Connecting Cable	1m standard cable 2x1.5mm <sup>2</sup>

#### FINISH

##### Color Finishing Profil

Standard	Natural Anodised Aluminium
On request	Thermo-enameling Power Coating RAL Color Anodising Chromium or Gold plating

#### ON REQUEST

Cover or Grid	CRPS (Ht:+1mm) VSM6 (Opaline Glass - Ht:+20mm)
End Caps	ERPS ERPS-N (luminaire length mini 140mm)
Dimmable	YES (1-10V, Dali, DMX, KNX) <i>Ask technical departement for more information</i>

#### LIGHTING SOURCE

Lighting Source	Aga-Led® Type B - Generation 2			
Ref	B2	B3	B4	B6
Voltage	24V	24V	24V	24V
Power	1.2W	0.96W	1.2W	1.2W
Beam Angle	120°	120°	120°	120°
CRI	80	80	80	80
Light Output - lm/Unit				
2000K	40 ~ 68	40 ~ 82	46 ~ 78	70 ~ 118
2400K	48 ~ 81	58 ~ 97	55 ~ 93	83 ~ 140
2800K	68 ~ 114	82 ~ 137	66 ~ 111	99 ~ 166
4000K	68 ~ 114	82 ~ 137	66 ~ 111	99 ~ 166

Lifetime at 25° 50'000h

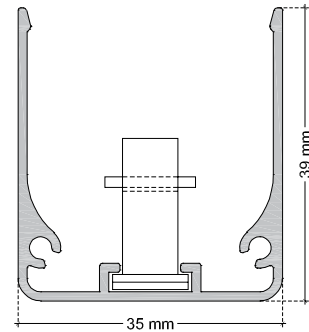
L70 at 25° 36'000h

Working T° -20°C ~ +40°C

Moisture resistant due to conformal silicone coated

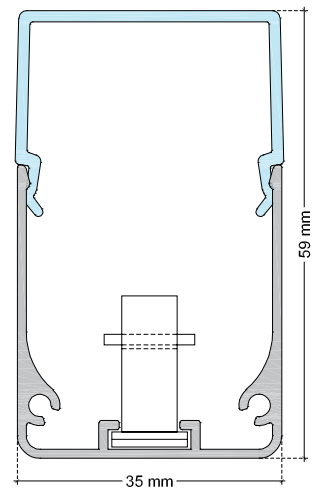


LU6AL / AGA-LED® TYPE B - Rigid Loop

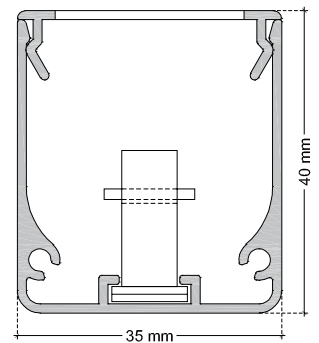


LU6AL COVER

VSM6



CRPS



#### CERTIFICAT



#### AGABEKOV



AGABEKOV SA Manufacture 6, ROUTE DE COMPOIS  
CH-1222 VÉSENAZ - GENEVA - SWITZERLAND  
Tel. +41 22 752 47 45 Fax. +41 22 752 37 08  
E - mail: info@aaabekov.com



AGABEKOV SA Bureau d'etudes 6, ROUTE DE COMPOIS  
CH-1222 VÉSENAZ - GENEVA - SWITZERLAND  
Tel. +41 22 752 47 45 Fax. +41 22 752 37 08  
Internet: www.aaabekov.com

