

## TECHNICAL DATA SHEET

### LU4CSAL67 - 3M Dual Lock™ / Aga-Led Type B

VERSION - 17.01.2017

#### STANDARD LUMINAIRE

Reference	LU4CSAL67
Mounting Plate	DLMP: 3M Dual Lock™ (see specifications)
Protection Class	IP67
Lighting Source	Aga-Led® Type B
Connector	Festoon on B' Light conductor 16mm <sup>2</sup>
Standard Dimensions	330 x 43 x Ht.35mm
Length on measure	on request up to 1025 mm
Nb Lighting Unit	4 LEDs for standard luminaire
Voltage	24V
Power	With B3: 3.84 W/m With B6: 4.8 W/m
Connecting Cable	One side: 20cm cable PUR 2x0.75mm <sup>2</sup>
End Caps	EU4E + Rotule 8mm

#### APPLICATION: FACADE - ARCHITECTURAL ORNEMENT ORIENTABLE DOWN-LIGHTING LUMINAIRE



#### FINISH

##### Standard Color Finishing Profil : Natural Anodised Aluminium

On request

- Thermo-enameling
- Powder Coating RAL
- Color Anodising
- Polished Aluminium Chrome Aspect
- Polished Aluminium Gold Aspect

##### Standard Cover Finishing : VRC-Clear Glass

On request VRM-Opaline Glass

#### ON REQUEST

Connecting Plug	AMSP / AFP
Dimming Option	1-10V, Dali, KNX Ask technical departement for more information

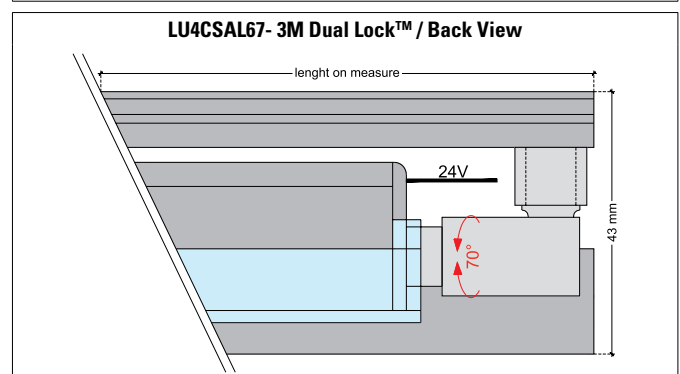
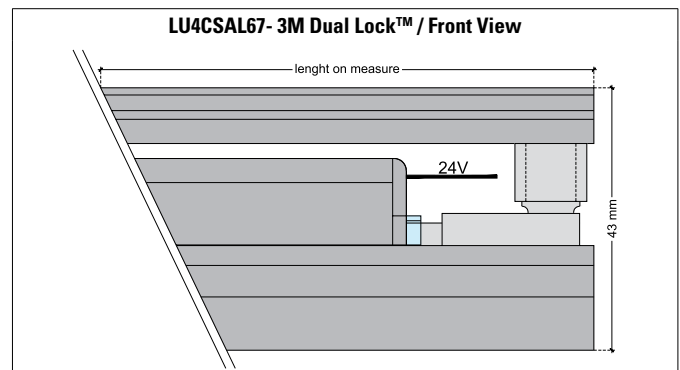
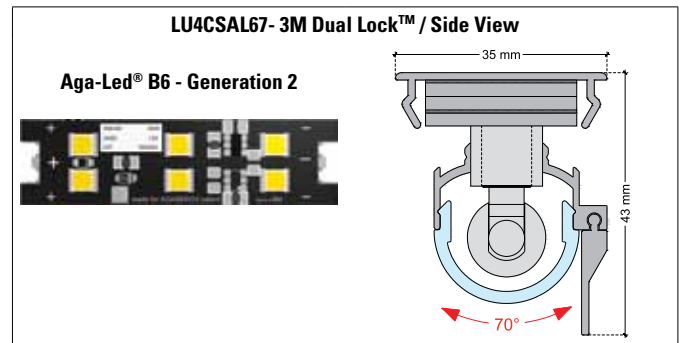
#### LIGHTING SOURCE

Lighting Source	Aga-Led® Type B - Generation 2	
Ref	B3	B6
Voltage	24V	24V
Power	0.96W	1.2W
Beam Angle	120°	120°
CRI	80	80
Lifetime	50'000h - 5 years	
Working T°	-20°C to +45°C	
Environmental protection	Modified acrylate resin	

##### Color Temperature & Luminous Flux / Unit

	2200K	2400K	2700K	3000K	4000K
Aga-Led® B3-G2	- -	97 lm	137lm	137lm	137lm
Aga-Led® B6-G2	129 lm	140 lm	166 lm	166 lm	166 lm

#### CERTIFICAT



#### On Request: Connecting Plug AMSP/AFP



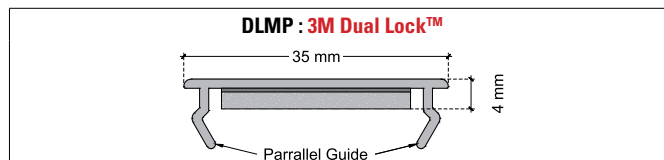
**TECHNICAL DATA SHEET**  
**Mounting Plate : 3M Dual Lock™**

VERSION - 17.01.2017

3MDualLock™ sont des fermetures-pressions flexibles et autocollantes. La liaison s'effectue par simple pression de deux de ces éléments de sorte que les petites têtes s'encastrent les unes dans les autres.

**Utilisations 3M Dual Lock™:**

- Pour des fixations et des fermetures qui doivent s'ouvrir et se refermer
- 3M Dual Lock™ peut remplacer des systèmes conventionnels comme vis, rivets, clips aimants,....
- Fixation pour éléments qui doivent être enlevés et remis facilement pour échanger des pièces, pour l'entretien ou la réparation.



**SPECIFICATIONS**

Référence	DLMP : 3M Dual Lock™
Mounting Plate	CRPS
Standard Dimensions	330 x 35 x Ht.4mm
Lenght on measure	on request up to 3000mm
Round Heads	40 / cm <sup>2</sup>
Working T°	-30°C ~ +70°C

**FINISH**

**Color Finishing Mounting Plate**

Standard	Natural Anodised Aluminium
On request	Thermo-enameling
	Powder Coating RAL
	Color Anodising
	Polished Aluminium Chrome Aspect
	Polished Aluminium Gold Aspect

**Dual Lock Finishing**

Standard	Black
----------	-------