

## TECHNICAL DATA SHEET

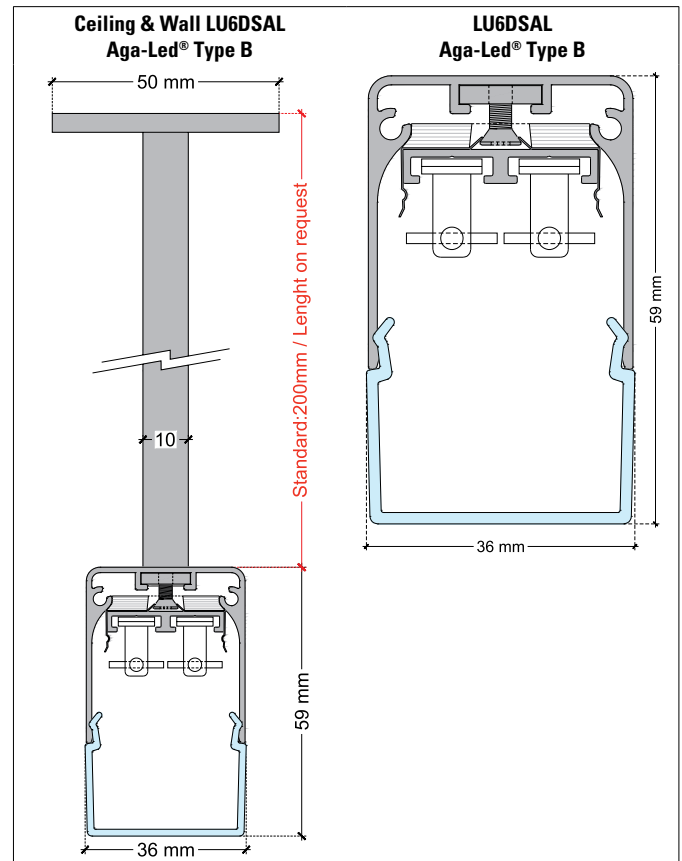
### Ceiling & Wall Linear Lighting / LU6DSAL / Aga-Led® Type B

VERSION - 02.10.2017

#### STANDARD LUMINAIRE

Reference	LU6DSAL
Protection Class	IP40
Lighting Source	Aga-Led® Type B
Connector	Festoon on B'Light conductor 16mm <sup>2</sup>
Size - mm	36 x 59mm without fixture
Length on measure	210mm to 3000mm
Nb Lighting Source	36 LED/m
Voltage	24V
Power	With B3: 34.56 W/m With B6: 43.2 W/m
Dimmable	Yes
Cover	VSM6: Opaline Glass
End Caps	ERPS-N: Ryton R-4 Black
Fixture	Standard Height: 20cm - Number to be defined according to luminaire length

#### APPLICATION : WALL, CEILING OR FLOOR



#### FINISH

##### Color Finishing Profil

Standard	Natural Anodised Aluminium
On request	Thermo-enameling Powder Coating RAL Color Anodising Polished Aluminium Chrome Aspect Polished Aluminium Gold Aspect

#### ON REQUEST

Fixture	Number to be defined - Height on measure
End Caps	ERPS-A: Aluminium
Dimming Option	1-10V, Dali, KNX <i>Ask technical departement for more information</i>

#### LIGHTING SOURCE

Lighting Source	Aga-Led® Type B - Generation 2	
Ref	B3	B6
Power	0.96W	1.2W
Voltage	24V	24V
Beam Angle	120°	120°
CRI	80	80
Lifetime	50'000h	
Working T°	-20°C to +45°C	
Environmental protection	Modified acrylate resin	

#### Color Temperature & Luminous Flux / Unit

	2200K	2400K	2700K	3000K	4000K
Aga-Led® B3-G2	--	97 lm	137lm	137lm	137lm
Aga-Led® B6-G2	129 lm	140 lm	166 lm	166 lm	166 lm

#### LU6 END CAPS

Standard: ERPS-N : Ryton R-4 Black

On Request: ERPS-A : Aluminium



#### CERTIFICAT

