

TECHNICAL DATA SHEET

LU5X-AC IP20 / Xenon

VERSION - 29.04.2016

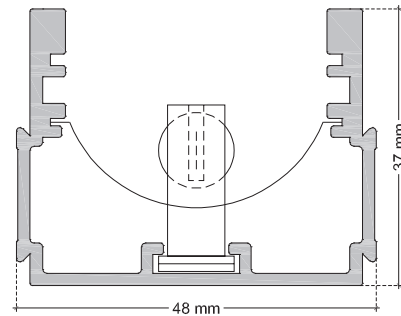
STANDARD LUMINAIRE

Reference	LU5X-AC			
Protection Class	IP20			
Lighting Source	Xenon			
Connector	Rigid Loop on B'Light conductor 16mm ²			
Dimensions	48 x 37mm			
Standard Length	330 - 670 - 1000 - 1330 - 2000 - 2330 - 2670mm			
Length on measure	on request up to 3000mm			
Nb Lighting Unit	18 bulbs/m			
Voltage	24V			
Power	3W	5W	8.5W	10W
	54 W/m	90 W/m	153 W/m	180 W/m
Reflector	RI			
Connecting Cable	1m standard cable 2x2.5mm ²			

APPLICATION: Corniches, Wall and Frontal Lighting



LU5X-AC / Xenon - Rigid Loop



FINISH

Color Finishing Profil

Standard	Natural Anodised Aluminium
On request	Thermo-Enameling Powder Coating RAL Color Anodising Polished Aluminium Chrome Aspect Polished Aluminium Old Gold Aspect

ON REQUEST

Fixation	FELM : for false ceiling
Cover	VAS: Clear Glass / VOS: Opaline Glass
Grid	GTC - GTD : Simple or Double Transverse Grid
End Caps	ECM
Connecting Plug	AMS/AF
Dimming Option	Phase 220V, Dali, KNX <i>Ask technical departement for more information</i>

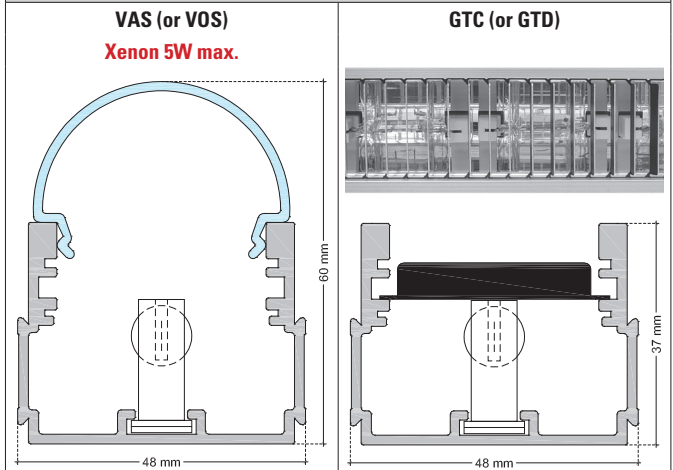
LIGHTING SOURCE

Lighting Source	Xenon Long Life			
Glass	Clear or Frosted			
Power	3W	5W	8.5W	10W
Voltage	24V	24V	24V	24V
Beam Angle	360°	360°	360°	360°
Color Temperature	2300K	2400K	2600K	2500K
Light Output lm/unit	12.6lm	40lm	95lm	90lm
Lifetime	20'000h	20'000h	10'000h	20'000h

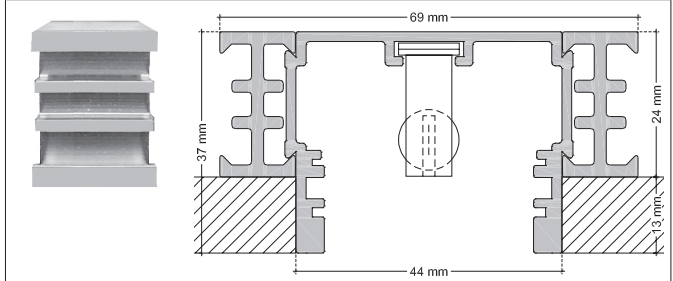
CERTIFICAT



ON REQUEST: LU5X-AC Cover or Grid



ON REQUEST: LU5 Fixation for false ceiling



ON REQUEST : Connecting plug AF/AMS

