

## TECHNICAL DATA SHEET

### LU4ESAL IP65 / Aga-Led® Type A

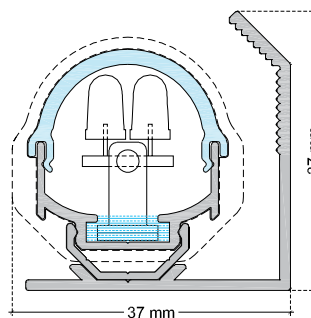
VERSION - 06.06.2016

#### STANDARD LUMINAIRE

Reference	LU4ESAL
Protection Class	IP65
Lighting Source	Aga-Led® Type A
Connector	Festoon on B'Light conductor 16mm <sup>2</sup>
Dimensions	37 x 37 mm
Standard Length	515 - 1010 - 1505 - 2000mm
Length on measure	on request up to 2990mm
Nb Lighting Unit	17 LED/m
Voltage	24V
Power	17 W/m
Connecting Cable	Both side: 20cm standard cable 2x2.5mm <sup>2</sup>
Corner Profil	PE4
End Caps	REC4



LU4ESAL / AGA-LED® TYPE A - Festoon



#### FINISH

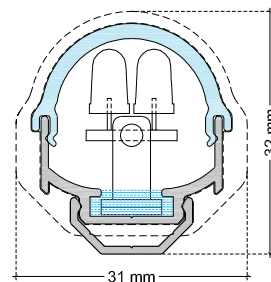
##### Color Finishing Profil

Standard	Natural Anodised Aluminium
On request	Thermo-enameling Powder Coating RAL Color Anodising

##### Glass Finishing

Standard	VRCE: Clear Glass
On request	VRME: Opaline

ON REQUEST : Without PE4 Corner / FCU Fixture Only



#### ON REQUEST

Fixation	FCU (Width:+4mm) PE4 (Width:+6mm - Ht:+7mm)
Connecting Plug	AMS / AF or AMS-E / AF-E
Dimming Option	1-10V, Dali, KNX <i>Ask technical departement for more information</i>

ON REQUEST: Connecting Plug

AF/AMS



AF-E/AMS-E (IP68)



#### LIGHTING SOURCE

Lighting Source	Aga-Led® Type A
Ref	A10
Voltage	24V
Power	1W
Beam Angle	15°
CRI	80
Lifetime	60'000h
Working T°	-30°C ~ +55°C
Option	AGC: Anti Glare Optic



#### Color Temperature & Luminous Flux / Unit

CCT	2800K	4000K
Luminous Flux/Unit	40 lm	45 lm

#### CERTIFICAT



#### AGABEKOV



AGABEKOV SA Manufacture 6, ROUTE DE COMPOIS  
CH-1222 VÉSENAZ - GENEVA - SWITZERLAND  
Tel. +41 22 752 47 45 Fax. +41 22 752 37 08  
E - mail: info@agabekov.com



AGABEKOV SA Bureau d'etudes 6, ROUTE DE COMPOIS  
CH-1222 VÉSENAZ - GENEVA - SWITZERLAND  
Tel. +41 22 752 47 45 Fax. +41 22 752 37 08  
Internet: www.agabekov.com

